

Combined Manual Stages

AAK series Combined Manual Stages

Naming Rules:

AAK 3 - 60 L

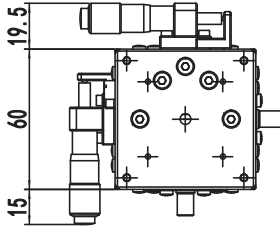
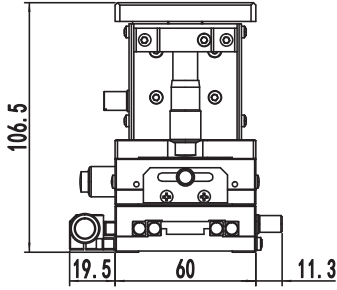
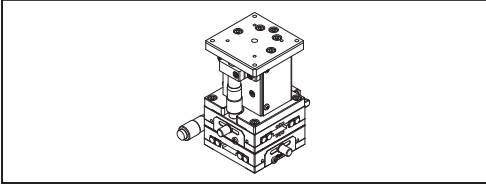


Selection Table:

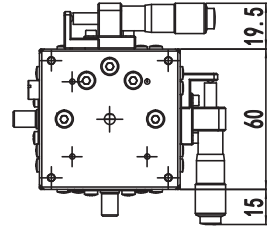
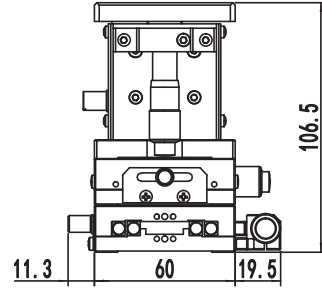
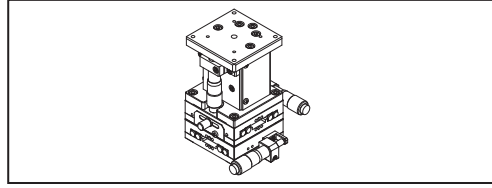
Model	AAK3-60L	AAK4-60L	AAK5-60L	AAK6-60L	AAK3-60R	AAK4-60R	AAK5-60R	AAK6-60R	
Configurations	X	AK13A-6020SL			AK13A-6020SR				
	Y	AK13A-6020SL			AK13A-6020SR				
	Z	AKV13A-60Z			AKV13A-60Z				
	θz	-	AKR10A-60			-	AKR10A-60R		
	θx	-	-	AKG75-60		-	-	AKG75-60	
	θy	-	-	-	AKG50-60	-	-	-	AKG50-60
Travel	X	±6.5mm(10μm/scale)			±6.5mm(10μm/scale)				
	Y	±6.5mm(10μm/scale)			±6.5mm(10μm/scale)				
	Z	±6.5mm(10μm/scale)			±6.5mm(10μm/scale)				
	θz	-	coarse adjustment:360° ;fine adjustment:10° (50.4"/scale)			-	coarse adjustment:360° ;fine adjustment:10° (50.4"/scale)		
	θx	-	-	±8°		-	-	±8°	
	θy	-	-	-	±10°	-	-	-	±10°
Weight(Kg)	1	1.35	1.7	2.1	1	1.35	1.7	2.1	
Load(Kg)	3	2.5	2	1.5	3	2.5	2	1.5	

Dimensions:

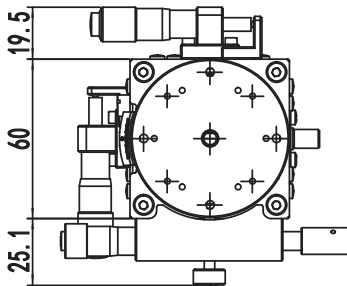
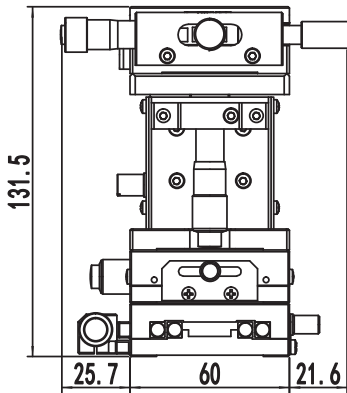
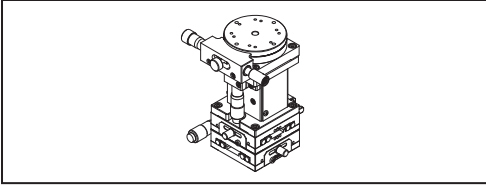
AAK3-60L



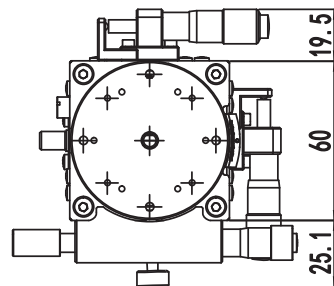
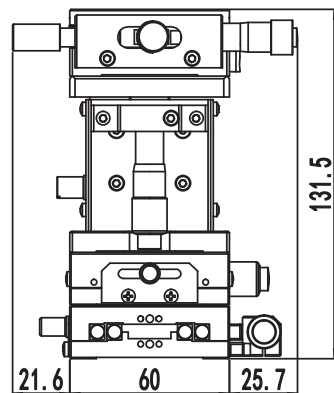
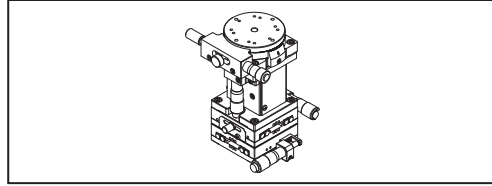
AAK3-60R



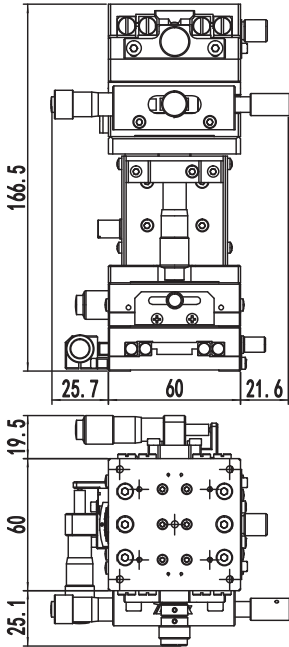
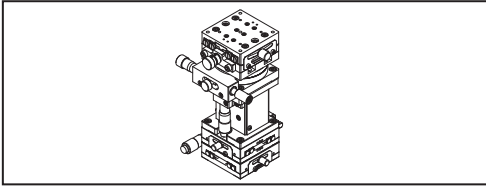
AAK4-60L



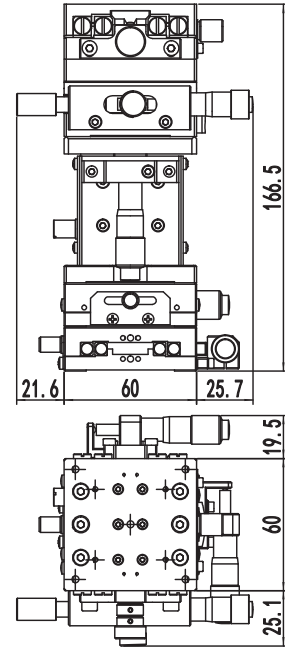
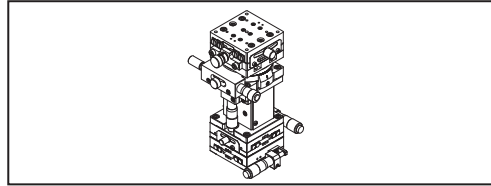
AAK4-60R



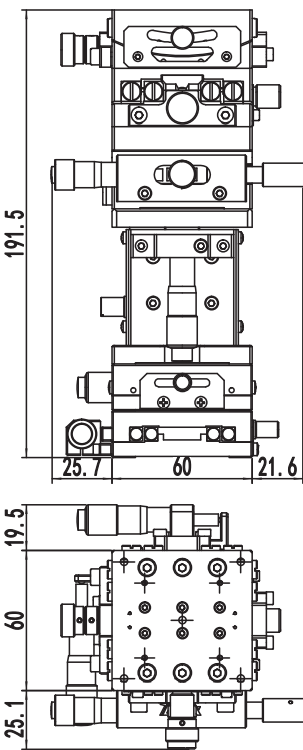
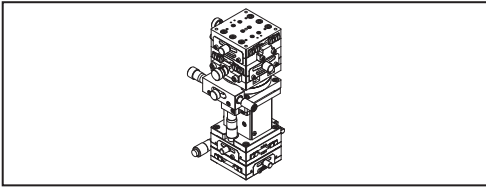
AAK5-60L



AAK5-60R



AAK6-60L



AAK6-60R

