

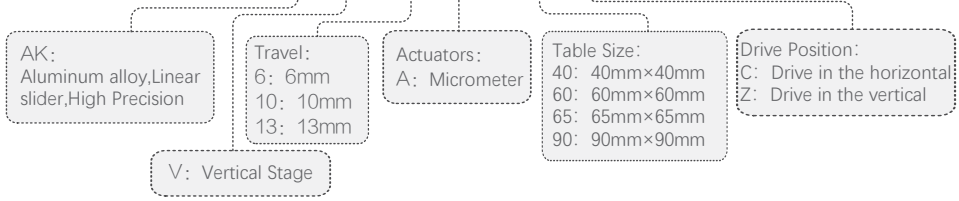
Vertical Positioners

AKV series Aluminum Alloy High Precision Vertical Stages



Naming Rules:

AK V 13 A - 60 Z

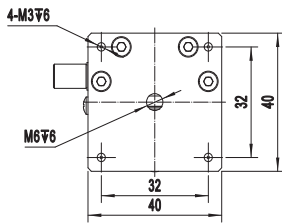
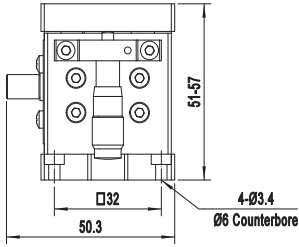
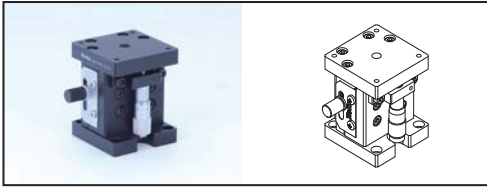


Selection Table

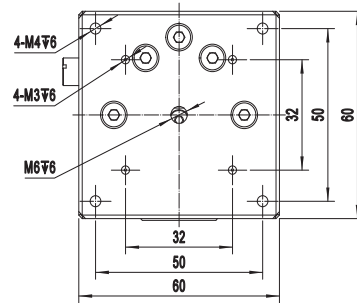
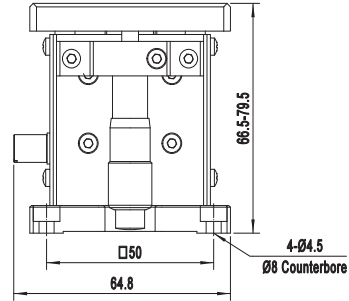
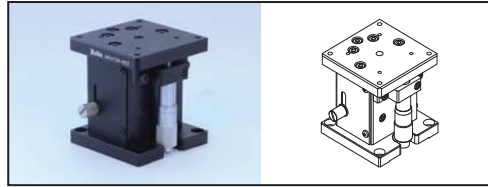
Model	AKV6A-40Z	AKV6A-40C	AKV13A-60Z	AKV10A-60C	AKV13A-65Z	AKV10A-90C
Table size(mm)	40×40	40×40	60×60	60×60	65×65	90×90
Travel(mm)	6	6	13	10	13	10
Height(mm)	51-57	54.5-60.5	66.5-79.5	55-65	66.5-79.5	60-70
Weight (Kg)	0.195	0.25	0.508	0.42	0.8	0.96
Sensitivity(um)	≤2					
The height change by micrometer rotation one circle (um)	0.5					
Load (Kg)	≤2			≤3		
Static Parallelism(um)	≤100					

Dimensions:

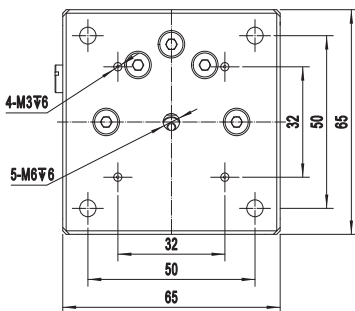
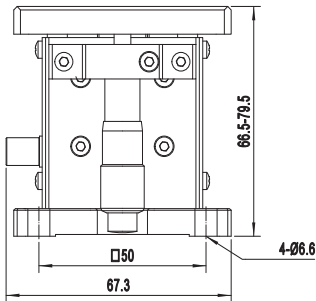
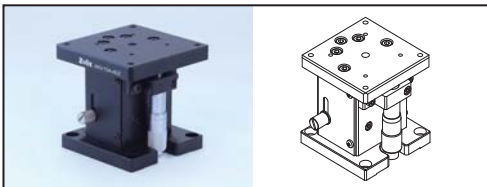
AKV6A-40Z



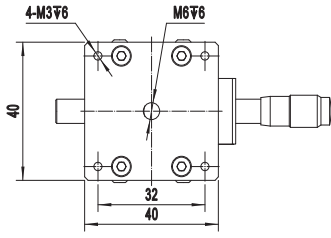
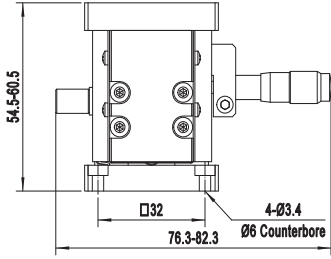
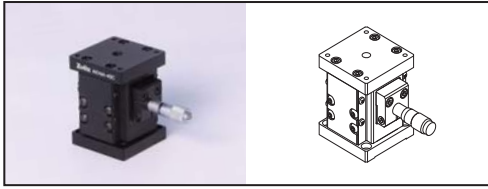
AKV13A-60Z



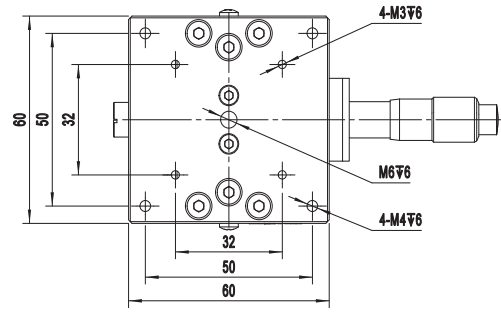
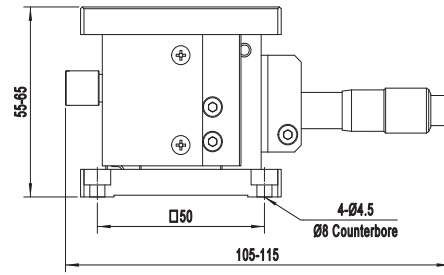
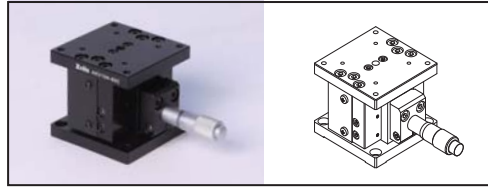
AKV13A-65Z



AKV6A-40C



AKV10A-60C



AKV10A-90C

