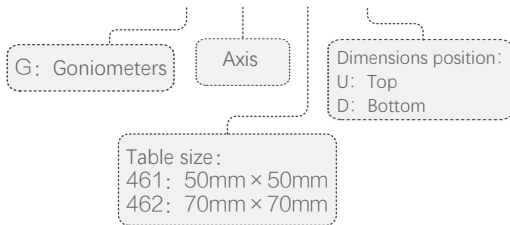


Manual Goniometers

NFPG series Ultra-High Precision Goniometer



Naming Rules: NFP G -1 461 D

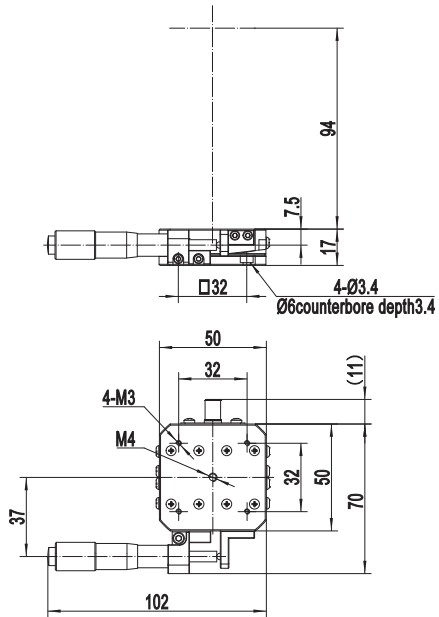
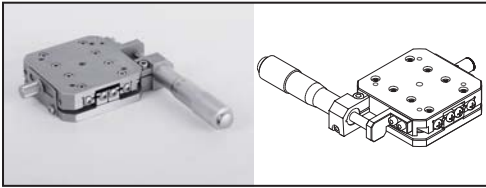


Selection Table:

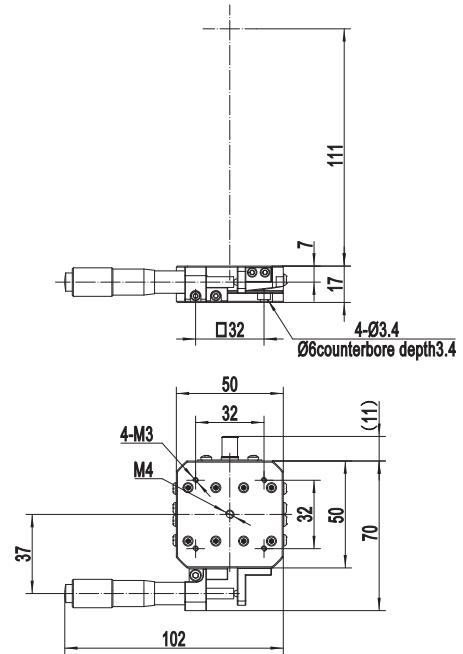
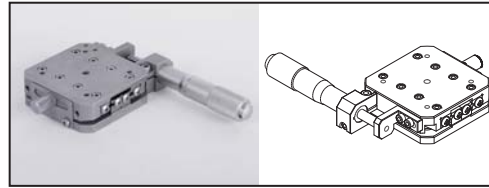
Model	NFPG-1461U	NFPG-1461D	NFPG-1462U	NFPG-1462D
Travel(°)	±7.5	±5	±7.5	±5
Center Height(mm)	94	111	71.5	96.5
Table Size(mm)	50×50	50×50	70×70	70×70
Thickness(mm)	17		25	
Actuators	micrometer			
Weight(Kg)	0.36	0.36	0.82	0.82
Sensitivity*(')	3	2	3	2
Rotation center runout(μm)	≤10			
The rotation angle by micrometer rotation one circle (°)	≈0.28	≈0.24	≈0.33	≈0.26
Load**(Kg)	1.5		2.5	

Dimensions:

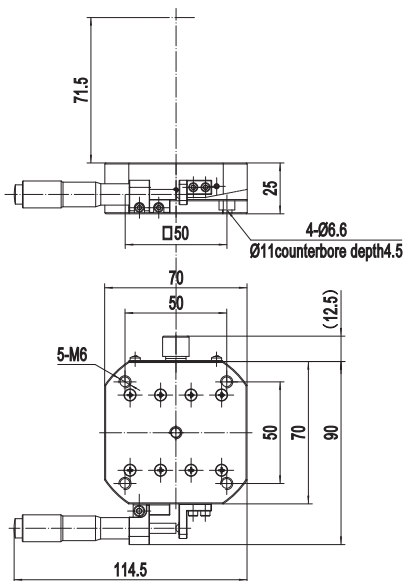
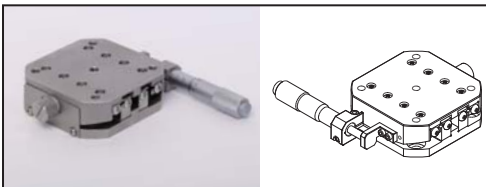
NFPG-1461U



NFPG-1461D



NFPG-1462U



NFPG-1462D

