

NLB series Lens Mount



Brief Introduction:

NLB series lens mount using for holding the lens, lens size cover 10-50.8mm diameter.

Features:

- High-quality materials: The main body is made of high-quality aluminium alloy, and the surface treated by black anodic oxidation.
- Lens size cover 10-50.8mm diameter come with teflon O ring for protecting the lens.

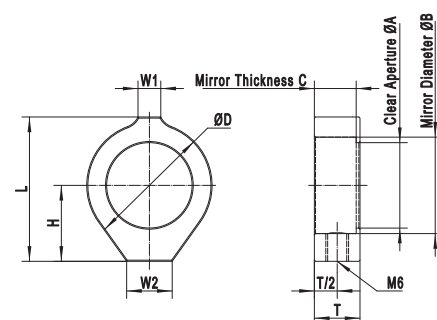
Selection Table:

Model	Clear Aperture A (mm)	Optics Size B (mm)	Optics Thickness C (mm)	Optic Center Height H (mm)	Overall Height L (mm)	Overall thickness T (mm)	D (mm)	W1 (mm)	W2 (mm)	Mounting Hole
NLB10	φ 7	φ 10	3~5	14	24.5	9	18	6	10	M6
NLB12.7	φ 10	φ 12.7	3~5	14	25.5	9	20	6	10	
NLB15	φ 12	φ 15	3~5	16	29	9	22	6	12	
NLB20	φ 17	φ 20	3~8	20	36	12	28	6	12	
NLB25	φ 22	φ 25	3~8	20	38	12	33	6	12	
NLB25.4	φ 22.5	φ 25.4	3~8	20	38	12	33	6	12	
NLB30	φ 26	φ 30	3~8	25	46	12	38	6	12	
NLB35	φ 31	φ 35	3~8	25	48.5	12	43	6	16	
NLB38.1	φ 34	φ 38.1	3~8	30	55	12	46	6	16	
NLB40	φ 36	φ 40	3~8	30	56	12	48	6	16	
NLB50	φ 46	φ 50	3~10	35	66.5	14	58	6	16	
NLB50.8	φ 46	φ 50.8	3~10	35	67	14	59	6	16	

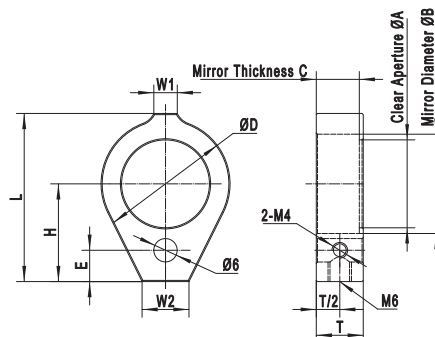
Model	Clear Aperture A (mm)	Optics Size B (mm)	Optics Thickness C (mm)	Optic Center Height H (mm)	Overall Height L (mm)	Overall thickness T (mm)	D (mm)	E (mm)	W1 (mm)	W2 (mm)	Mounting Hole
NLB12.7-B	φ 10	φ 12.7	3~5	25	36.5	9	20	8	6	13	M6
NLB20-B	φ 17	φ 20	3~8	25	41	12	28	8	6	12	
NLB25-B	φ 22	φ 25	3~8	25	43	12	33	8	6	12	
NLB25.4-B	φ 22.5	φ 25	3~8	25	43	12	33	8	6	12	
NLB30-B	φ 26	φ 30	3~8	40	61	12	38	10	6	12	
NLB38.1-B	φ 34	φ 38.1	3~8	40	65	12	46	10	6	16	
NLB50-B	φ 46	φ 50	3~10	40	71.5	14	58	10	6	16	
NLB50.8-B	φ 46	φ 50.8	3~10	40	72	14	59	10	6	16	

Dimensions:

NLBxx



NLBxx-B



Related Products:



Lense Alignment Targets



Connecting Accessories