

Mx series motorized multi-axis positioning systems



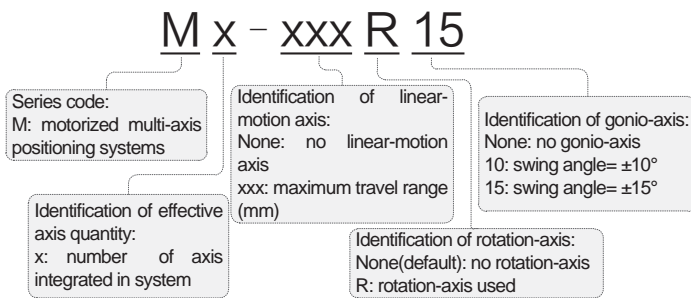
Description:

Mx series motorized positioning systems are designed and manufactured by Zolix, based on four-axis or more-axis motorized combination products, to offer most flexible adjustments or positioning in limited space. The typical application scenarios include fine optical path alignment and simulation of person postures.

Main characteristics:

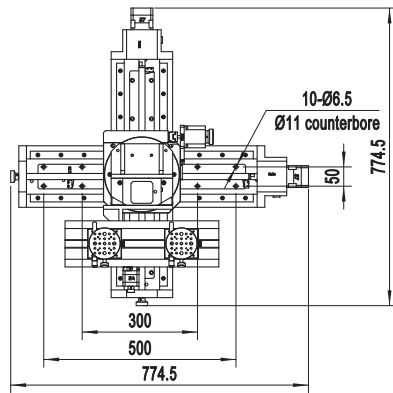
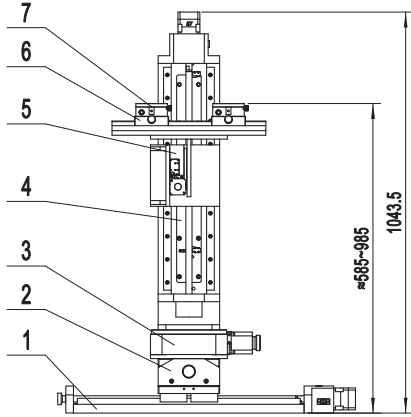
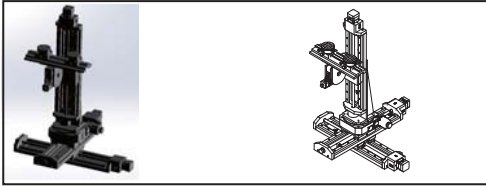
- High integration degree
- More than 6 axis systems optional
- Modular design for easy maintenance
- Customization available

Naming rules:



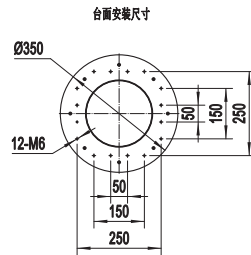
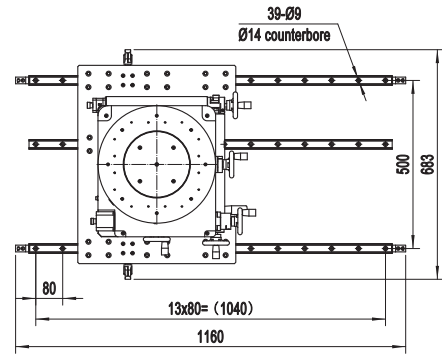
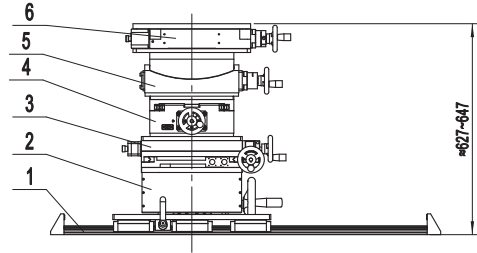
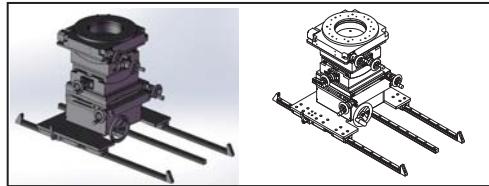
Dimensions:

M8-400R



Specification	
No.	Travel
1	400mm
2	400mm
3	360°
4	400mm
5	15°
6	200mm
7	360°x2

M7-600R15



Specification	
No.	Travel
1	600mm
2	40mm
3	100×100mm
4	15°
5	15°
6	360°